



Round Pin Socket Outlets



The smooth modern lines of the Polar accessory plate will fit easily into traditional and contemporary designs alike.

All Polar Round Pin sockets are tested and approved to BS546 offering assured quality and safety.

Round Pin Socket Outlets

Product Range

15A Round Pin Socket Outlet

PRW034

15A 1 Gang Round Pin Switched Socket Outlet

5A Round Pin Socket Outlet

PRW038

5A 1 Gang Round Pin Socket Outlet

2A Round Pin Socket Outlet

PRW039

2A 1 Gang Round Pin Socket Outlet



PRW034



PRW038

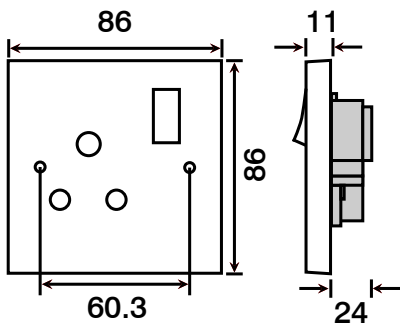


PRW039

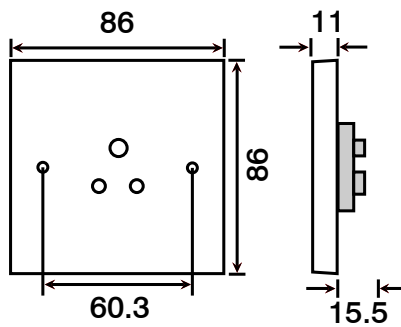
Round Pin Socket Outlets

Product Dimensional Drawings (mm)

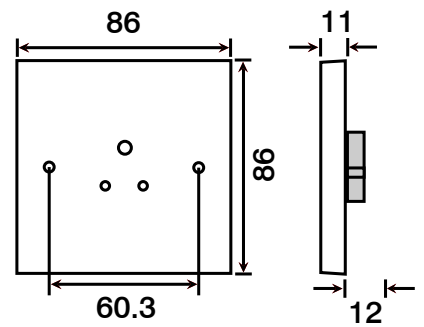
PRW034



PRW038

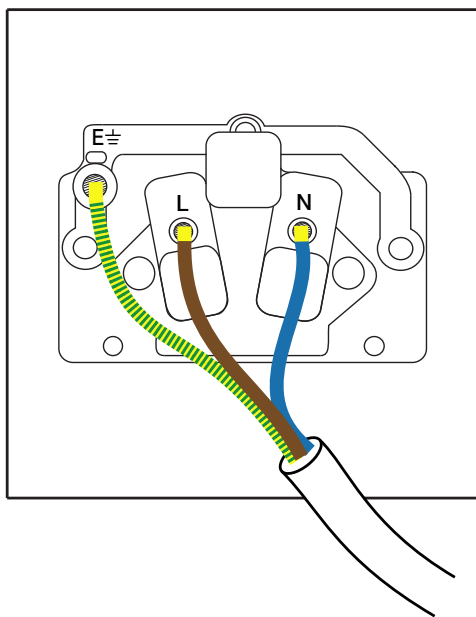


PRW039

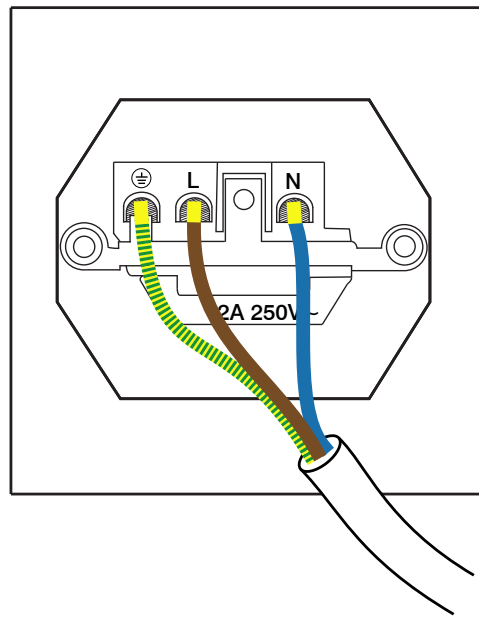


Product Wiring Diagram

PRW034, 038



PRW039



Errors & Omissions excluded. Specification is subject to change without notice.

Round Pin Socket Outlets

Technical Specification

Round Pin Socket Outlets

Material Composition	Front Plate, Rocker Switch & Rear Housing: Urea Terminals: Brass Terminal Screws: Steel & Yellow Passivated Internal Busbars: Formed Press Brass Silver “on-lay” Copper / Brass Contacts
Voltage	240V~ 50Hz
Current Rating	15A / 5A / 2A
Terminal Size	3.5mm ø
Torque Value	2.0Nm (15A) / 1.2Nm (5A) / 0.4Nm (2A)
Cable Size	2 x 2.5mm ² / 3 x 1.5mm ²
Back Box Depth	25mm - 47mm
Warranty	20 Years
Anti Microbial Certified	Yes
IP Rating	IP20
Operational Temperature	-5° to +40°C
Standards	The Low Voltage Directive 2006/95/EC BS 546:1950 Modified ISO 22196

Additional Information

Ensure that the mains supply is isolated before commencing installation and refer to the circuit diagram with the relevant product.

Bare earth cables must always be covered with appropriate sleeving and wired to the earth terminal.

All white moulded accessories are manufactured using Urea Formaldehyde, which has similar inherent properties to antimicrobial additives that inhibit the growth of infectious diseases. All products were independently tested and achieved a 99.9% kill rate across all four types of the strains of bacteria - MRSA, E-Coli, Salmonella, and Klebsiella Pneumoniae.



DECLARATION OF CONFORMITY

1. *Issuer Name* Scolmore International Limited
2. *Issuer Address* 1 Scolmore Park, Landsberg,
Lichfield Road Industrial Estate,
Tamworth, Staffordshire, B79 7XB
3. *Object(s) of Declaration* Polar Range
 - a. *Group* Round Pin Socket Outlets
 - b. *Model No.* PRW034, PRW038, PRW039
4. *The object of the declaration described above is in conformity with the requirements of the following Legislations:*

Document No	Title
2006/95/EC	Low Voltage Directive

5. *All products contained within the aforementioned comply with the relevant standards and requirements listed below.*

BS 546:1950

6. *I hereby declare that the equipment named above has been designed to comply with the relevant sections of the above referenced specifications. The unit complies with all applicable Essential Requirements of the Directives.*

In conjunction with the above all manufacture and process controls are in accordance with ISO 9001:2008

Signed, for and on behalf of: Scolmore International Limited

A handwritten signature in black ink, appearing to read "Bettson".

Steven Bettson BSc - Senior Technical Support Engineer

CE 13